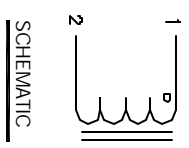
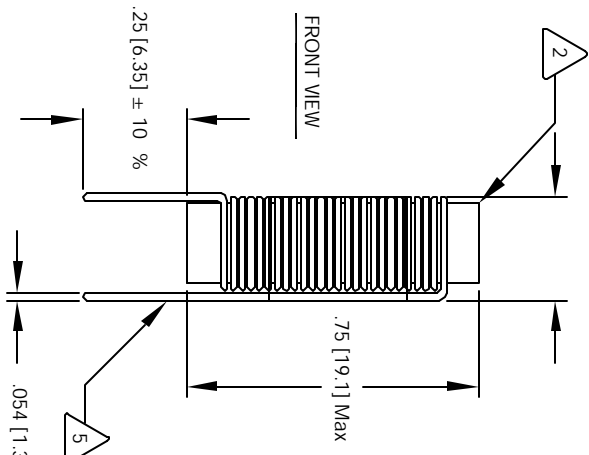


The information contained in this drawing is the sole property of CWS Coil Winding Specialist. Any reproduction in part or whole without written permission of CWS Coil Winding Specialist is prohibited.

REVISION HISTORY			
REV	ECN	DESCRIPTION	DATE
A		PRODUCTION RELEASE	12/11/04

VERTICAL MOUNT  
 .50 [12.7] Max



INDUCTANCE DROPS 10% FROM ZERO ADC VALUE SATURATION CURRENT IS THE CURRENT AT WHICH THE TEMP. RISE ABOVE AMBIENT OF 25 °C.  
 MAX DC CURRENT IS AVERAGE CURRENT FOR 40 °C NOTES:

- 6 LEADS MUST BE TANGENT TO THE CORE .05" ABOVE THE CORE EDGE, AND REMOVE INSULATION AND TIN LEADS
- 5 WIND COILS EVENLY SPACED
- 4 CONSTRUCTION:

MAX TEMP RISE AT MAX CURRENT = 40 °C  
 HI-POT TEST FOR CORE TO WINDING = 500 VDC  
 DCR = 3 MILLI-OHMS MAX @ 25 °C  
 SATURATION CURRENT = 10 AMPS  
 L = 1.0 UH ± 15% , 15.75 KHz, 0.1 Vrms, 0 ADC;  
 3 SPECIFICATIONS: MAX RMS (DC) CURRENT = 10 AMPS

- 2 WIRE: UL RECOGNIZED 130°C RATED MAGNET WIRE CWS BYTE-MARK OR OTHER APPROVED PART CORE: MANGANESE ZINC FERRITE ROD

- 1 RATING CLASS B (130°C) REQUIRED MATERIAL: WIRE INSULATION - UL RECOGNIZED 94V-0 FOR FLAMMABILITY
- NOTES: UNLESS OTHERWISE SPECIFIED, POWER INDUCTOR, DIMENSIONS IN INCHES [MM], READ FROM BOTTOM UP

1  
2  
MOUNTING HOLES PATTERN  
 .42 [10.7] ± .015[.38]

UNLESS OTHERWISE SPECIFIED
TOLERANCE PER NAS 11.5M
ALL DIMENSIONS ARE IN NOTES AND DIMENSIONS
TOLERANCE INCHES
XXXXX.XXX ±.015
TOLERANCE METERS
XXXXX.XXX ±.38
ANGLE PROJECTION
DO NOT SCALE DRAWING

CODE IDENT	MFG. P/N	DESCRIPTION	ITEM NO.
AUTOCAD SOLIDWORKS SIGN	X	<b>PARTS LIST</b>	
DATE	DATE	CWS Coil Winding Specialist www.cwils.com	
12/11/04	12/11/04	1510 E. Edinger Ave Unit B, Santa Ana, CA 92705	
TKK	TKK	<b>Power Chokes</b>	
JLJU	JLJU	<b>Vertical Mount</b>	
DKR	DKR	SIZE DIM. IN.	REV
12/11/04	12/11/04	B	A
JLJU	JLJU	PV-102-10	
SCALE	SCALE	2=1	SHEET 1 OF 1