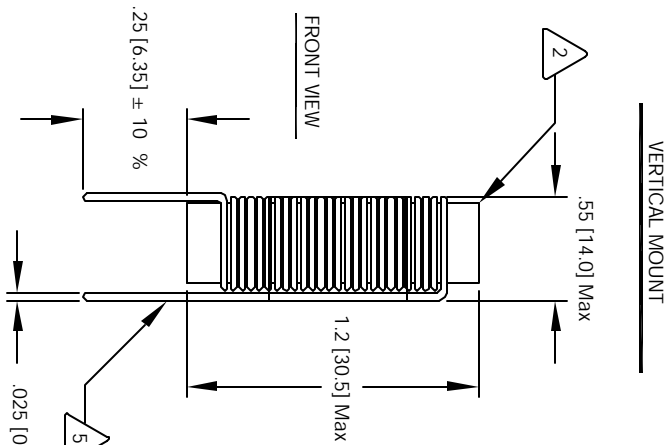


The information contained in this drawing is the sole property of CWS Coil Winding Specialist. Any reproduction in part or whole without written permission of CWS Coil Winding Specialist is prohibited.

REVISION HISTORY			
REV	ECN	DESCRIPTION	DATE
A		PRODUCTION RELEASE	1/16/05



- INDUCTANCE DROPS 10% FROM ZERO ADC VALUE SATURATION CURRENT IS THE CURRENT AT WHICH THE TEMP. RISE ABOVE AMBIENT OF 25 °C.
- MAX DC CURRENT IS AVERAGE CURRENT FOR 40 °C NOTES:
EPOXY LEADS TO CORE
.05" ABOVE THE CORE EDGE, AND
REMOVE INSULATION AND TIN LEADS
- WIND COILS EVENLY SPACED
- CONSTRUCTION:
MAX TEMP RISE AT MAX CURRENT = 40 °C
HI-POT TEST FOR CORE TO WINDING = 500 VDC
DCR = 210 MILLI-OHMS MAX @ 25 °C
SATURATION CURRENT = 3 AMPS
L = 220 uH ± 10% , 15.75 KHz, 0.1 Vrms, 0 ADC.

- SPECIFICATIONS: MAX RMS (DC) CURRENT = 3 AMPS
WIRE: UL RECOGNIZED 130°C RATED MAGNET WIRE
CWS BYTE-MARK OR OTHER APPROVED PART
CORE: MANGANESE ZINC FERRITE ROD
- RATING CLASS B (130°C) REQUIRED
MATERIAL: WIRE INSULATION - UL RECOGNIZED 94V-0 FOR FLAMMABILITY

NOTES: UNLESS OTHERWISE SPECIFIED, POWER INDUCTOR, DIMENSIONS IN INCHES [MM]. READ FROM BOTTOM UP



CODE IDENT	MFG. P/N	DESCRIPTION	ITEM NO.
AUTOCAD SOLIDWORKS SIGN	X	PARTS LIST	
UNLESS OTHERWISE SPECIFIED		COLS COM, INC	
TOLERANCE PER NAS 11.5M		1510 E. Edinger Ave.	
ALL DIMENSIONS ARE IN NOTES AND DIMENSIONS		Unit: B, Santa Ana, CA, 92705	
TOLERANCE INCHES			
XXXXX.XXX ±.XX ±.015			
TOLERANCE METERS			
XXXXX.XXX ±.XX ±.38			
ANGLE PROJECTION			
DO NOT SCALE DRAWING			
DATE	DATE	DATE	DATE
1/16/05	1/16/05	1/16/05	1/16/05
TKK	TKK	TKK	TKK
JLJU	JLJU	JLJU	JLJU
KSUN	KSUN	KSUN	KSUN
APPR. JLJU	APPR. JLJU	APPR. JLJU	APPR. JLJU
SIZE	DRW. NO.	REV	
B	PV-224-03	A	
SCALE	2=1	SHEET	1 OF 1