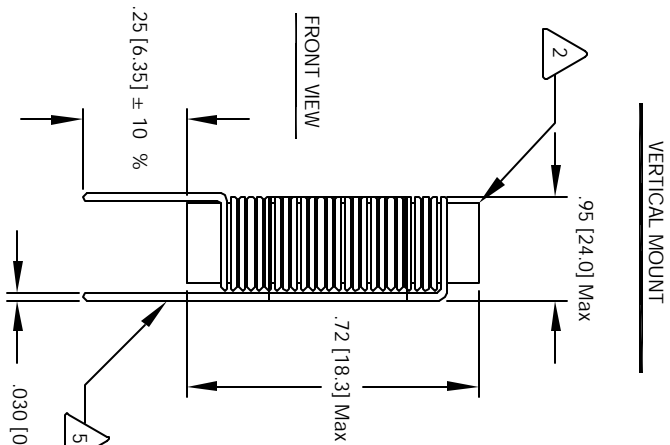
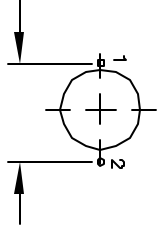


The information contained in this drawing is the sole property of CWS Coil Winding Specialist. Any reproduction in part or whole without written permission of CWS Coil Winding Specialist is prohibited.

REVISION HISTORY			
REV	ECN	DESCRIPTION	DATE
A		PRODUCTION RELEASE	1/16/05



**MOUNTING HOLES PATTERN**



- 1 MATERIAL: WIRE INSULATION - UL RECOGNIZED 94V-0 FOR FLAMMABILITY
- 2 CORE: MANGANESE ZINC FERRITE ROD
- 3 SPECIFICATIONS: MAX RMS (DC) CURRENT = 4 AMPS  
L = 270 uH ± 10% , 15.75 KHz, 0.1 Vrms, 0 ADC;  
MAX TEMP RISE AT MAX CURRENT = 40 °C  
HI-POT TEST FOR CORE TO WINDING = 500 VDC  
DCR = 250 MILLI-OHMS MAX @ 25 °C  
SATURATION CURRENT = 4 AMPS
- 4 CONSTRUCTION:  
WIND COILS EVENLY SPACED  
EPOXY LEADS TO CORE  
.05" ABOVE THE CORE EDGE, AND  
REMOVE INSULATION AND TIN LEADS
- 5 REMOVE INSULATION AND TIN LEADS

UNLESS OTHERWISE SPECIFIED	DO NOT SCALE DRAWING
TOLERANCE INCHES	← - ±0.30"
TOLERANCE METERS	← - ±0.30"
ANGLE PROJECTION	← - ±0.30"

CODE IDENT	MFG. P/N	DESCRIPTION	ITEM NO.
AUTOCAD SOLIDWORKS SIGN	X	<b>PARTS LIST</b>	
DATE	DATE	CWS Coil Winding Specialist. 1510 E. Edinger Ave. Unit B, Santa Ana, CA, 92705	
TKK	1/16/05	<b>Power Chokes</b>	
JLJU	1/16/05	<b>Vertical Mount</b>	
DKR	1/16/05	SIZE DIM. IN.	REV
APPR. JLJU	1/16/05	<b>B</b>	<b>A</b>
		SCALE <b>2=1</b>	SHEET <b>1</b> OF <b>1</b>