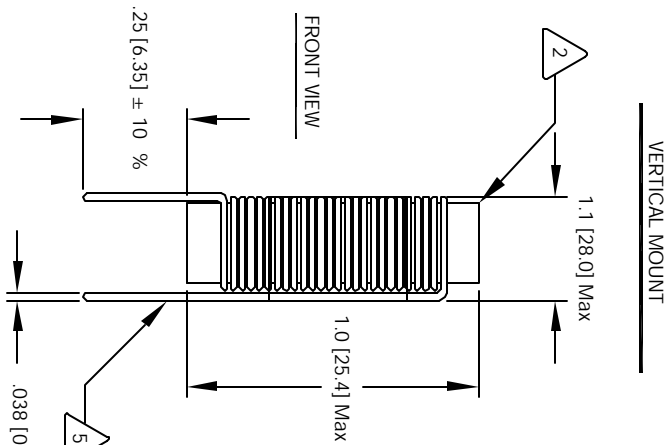


The information contained in this drawing is the sole property of CWS Coil Winding Specialist. Any reproduction in part or whole without written permission of CWS Coil Winding Specialist is prohibited.

| REVISION HISTORY |     |                    |         |
|------------------|-----|--------------------|---------|
| REV              | ECN | DESCRIPTION        | DATE    |
| A                |     | PRODUCTION RELEASE | 1/16/05 |



- INDUCTANCE DROPS 10% FROM ZERO ADC VALUE SATURATION CURRENT IS THE CURRENT AT WHICH THE TEMP. RISE ABOVE AMBIENT OF 25 °C.
- MAX DC CURRENT IS AVERAGE CURRENT FOR 40 °C NOTES:  
EPOXY LEADS TO CORE  
.05" ABOVE THE CORE EDGE, AND  
REMOVE INSULATION AND TIN LEADS
- WIND COILS EVENLY SPACED
- CONSTRUCTION:  
MAX TEMP RISE AT MAX CURRENT = 40 °C  
HI-POT TEST FOR CORE TO WINDING = 500 VDC  
DCR = 160 MILLI-OHMS MAX @ 25 °C  
SATURATION CURRENT = 10 AMPS  
L = 270 uH ± 10% , 15.75 KHz, 0.1 Vrms, 0 ADC.

- SPECIFICATIONS: MAX RMS (DC) CURRENT = 10 AMPS  
WIRE: UL RECOGNIZED 130°C RATED MAGNET WIRE  
CWS BYTE-MARK OR OTHER APPROVED PART  
CORE: MANGANESE ZINC FERRITE ROD
- RATING CLASS B (130°C) REQUIRED  
MATERIAL: WIRE INSULATION - UL RECOGNIZED 94V-0 FOR FLAMMABILITY

NOTES: UNLESS OTHERWISE SPECIFIED, POWER INDUCTOR, DIMENSIONS IN INCHES [MM], READ FROM BOTTOM UP

|  |                      |
|--|----------------------|
| UNLESS OTHERWISE SPECIFIED                 | DO NOT SCALE DRAWING |
| DRAWING AND TOLERANCE PER FIG 11.5M        |                      |
| ALL DIMENSIONS ARE IN NOTES AND DIMENSIONS |                      |
| TOLERANCE INCHES                           | ±.0030               |
| TOLERANCE METERS                           | ±.0750               |
| TOLERANCE METERS                           | ±.127                |
| ANGLE PROJECTION                           |                      |

| CODE IDENT              | MFG. P/N | DESCRIPTION   | ITEM NO. |
|-------------------------|----------|---|----------|
| AUTOCAD SOLIDWORKS SIGN | X        | <b>PARTS LIST</b>   |          |
| DATE                    | DATE     | CWS Coil Winding Specialist.<br>1510 E. Edinger Ave.<br>Unit B, Santa Ana, CA 92705 |          |
| DATE                    | DATE     | <b>Power Chokes</b>   |          |
| DATE                    | DATE     | <b>Vertical Mount</b>   |          |
| DATE                    | DATE     | SIZE DIM. IN.   | REV      |
| DATE                    | DATE     | B   | A        |
| DATE                    | DATE     | PV-274-10   |          |
| DATE                    | DATE     | SCALE   |          |
| DATE                    | DATE     | 2=1   |          |
| DATE                    | DATE     | SHEET 1 OF 1  |          |