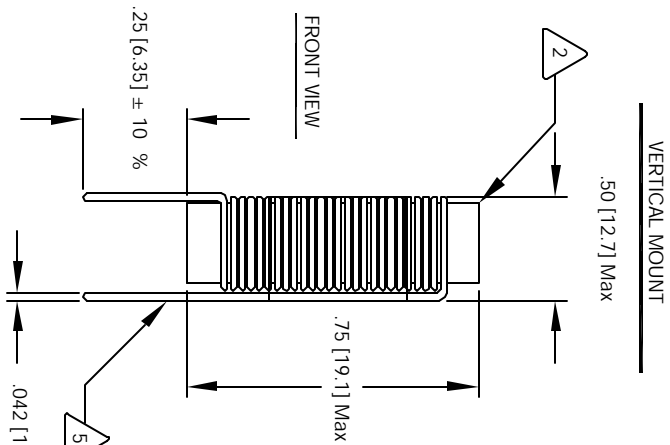


The information contained in this drawing is the sole property of CWS Coil Winding Specialist. Any reproduction in part or whole without written permission of CWS Coil Winding Specialist is prohibited.

REVISION HISTORY			
REV	ECN	DESCRIPTION	DATE
A		PRODUCTION RELEASE	12/11/04



- INDUCTANCE DROPS 10% FROM ZERO ADC VALUE SATURATION CURRENT IS THE CURRENT AT WHICH THE TEMP. RISE ABOVE AMBIENT OF 25 °C.
- MAX DC CURRENT IS AVERAGE CURRENT FOR 40 °C NOTES:  
LEADS MUST BE TANGENT TO THE CORE  
.05" ABOVE THE CORE EDGE, AND  
REMOVE INSULATION AND TIN LEADS
- WIND COILS EVENLY SPACED
- CONSTRUCTION:  
MAX TEMP RISE AT MAX CURRENT = 40 °C  
HI-POT TEST FOR CORE TO WINDING = 500 VDC  
DCR = 12 MILLI-OHMS MAX @ 25 °C  
SATURATION CURRENT = 5 AMPS  
L = 4.7 uH ± 15% . 15.75 KHZ, 0.1 Vrms, 0 ADC;  
SPECIFICATIONS: MAX RMS (DC) CURRENT = 5 AMPS

- WIRE: UL RECOGNIZED 130°C RATED MAGNET WIRE  
CWS BYTE-MARK OR OTHER APPROVED PART  
CORE: MANGANESE ZINC FERRITE ROD
- RATING CLASS B (130°C) REQUIRED  
MATERIAL: WIRE INSULATION - UL RECOGNIZED 94V-0 FOR FLAMMABILITY

NOTES: UNLESS OTHERWISE SPECIFIED, POWER INDUCTOR, DIMENSIONS IN INCHES [MM], READ FROM BOTTOM UP

UNLESS OTHERWISE SPECIFIED	DO NOT SCALE DRAWING
TOLERANCE AND DIMENSIONS ARE IN INCHES UNLESS OTHERWISE SPECIFIED	
TOLERANCE METERS	
±.0005	±.015
±.001	±.025
±.002	±.050
±.005	±.127
±.010	±.254
±.020	±.508
±.050	±.127
±.100	±.254
±.150	±.381
±.200	±.508
±.300	±.762
±.500	±.127
±.750	±.254
±1.000	±.381
±1.500	±.508
±2.000	±.762
±3.000	±.127
±4.000	±.254
±5.000	±.381
±6.000	±.508
±7.000	±.762
±8.000	±.127
±9.000	±.254
±10.000	±.381
±12.000	±.508
±15.000	±.762
±20.000	±.127
±25.000	±.254
±30.000	±.381
±40.000	±.508
±50.000	±.762
±60.000	±.127
±75.000	±.254
±90.000	±.381
±100.000	±.508
±120.000	±.762
±150.000	±.127
±200.000	±.254
±250.000	±.381
±300.000	±.508
±400.000	±.762
±500.000	±.127
±600.000	±.254
±750.000	±.381
±900.000	±.508
±1000.000	±.762

CODE IDENT	MFG. P/N	DESCRIPTION	ITEM NO.
		PARTS LIST	
AUTOCAD SOLIDWORKS SIGN	X	CWS Coil Winding Specialist 1510 E. Edinger Ave Unit B, Santa Ana, CA 92705	
DATE	DATE		
12/11/04	12/11/04		
TKK	TKK		
12/11/04	12/11/04		
JLJU	JLJU		
12/11/04	12/11/04		
DKR	DKR		
12/11/04	12/11/04		
APPR. JLJU	APPR. JLJU		
12/11/04	12/11/04		
SIZE B	DRW. NO. PV-472-05		REV A
SCALE 2=1			
			SHEET 1 OF 1