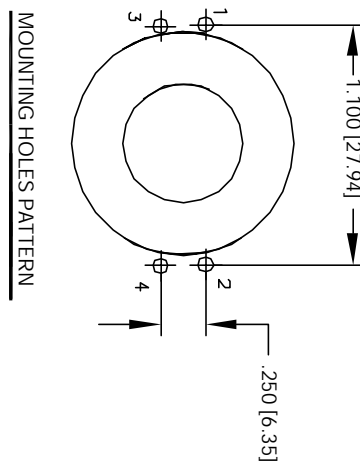
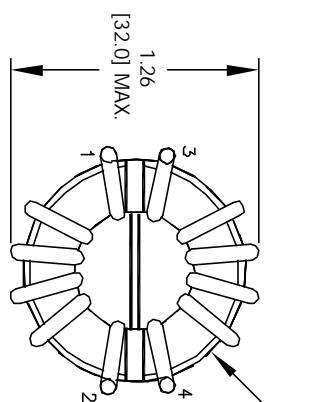
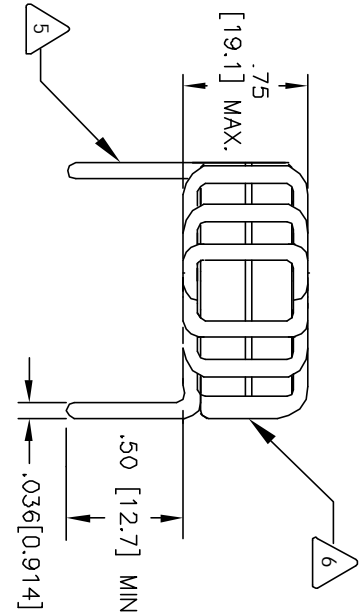
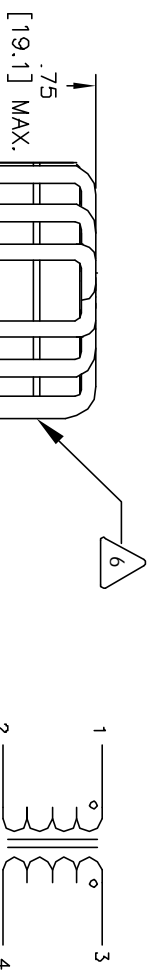


The information contained in this drawing is the sole property of CWS Coil Winding Specialist. Any reproduction in part or whole without written permission of CWS Coil Winding Specialist is prohibited.

REVISION HISTORY

REV	ECN	DESCRIPTION	BY	DATE	CHK	DATE
C		PRODUCTION RELEASE	RPB	5/25/07	JLJU	5/25/07



7 BUILT TO ROHS COMPLIANCE AND LEAD FREE.

6 WHERE SHOWN IF APPLICABLE, MARK PART NUMBER

5 FLUSH WITH THE COIL EDGE, AS SHOWN REMOVE INSULATION AND TIN LEADS APPROX. 0.5 INCH

4 WIND ON EACH SIDE TO CORE AND EVENLY SPACED CONSTRUCTION:

- TEMP RANGE = -25 °C TO 120°C
- MAX TEMP RISE = 40 °C
- TEST VOLTAGE = 2000 VAC, 1 MIN.
- TOTAL DCR OF BOTH WINDINGS = 63.6 MILLI-OHMS COMBINED.
- RATED VOLTAGE = 250 VAC OR VDC
- RATED CURRENT = 5 AMPS
- L = 1.5 mH MIN., 50 Hz - 400 KHz, 0.250 Vrms, 0 ADC
- INSULATION RESISTANCE = 100 MEGA-OHMS MIN. @ 500 VDC
- SPECIFICATIONS AT 25°C.

3 APPROVED PART  
WIRE: UL RECOGNIZED 200°C RATED MAGNET WIRE  
CWS BYTEMARK OR OTHER APPROVED PART  
CORE: FERRITE TOROID, HIGH PERM MNZN

2 BOBBIN RATING CLASS B (200°) REQUIRED  
1 MATERIAL: UL RECOGNIZED 94V-0 FOR FLAMMABILITY

NOTES: UNLESS OTHERWISE SPECIFIED, READ FROM BOTTOM UP.

EP FORM0005 REV 3 10/01

QTY	CODE	MFG. P/N	DESCRIPTION	ITEM NO.
	IDENT			

AUTOCAD		MFG. P/N		DESCRIPTION		ITEM NO.	
SOLIDWORKS	DATE						
SIGN							
DRAWN	DATE						
CHKD							
ENGR.							
APPR.							

CAD-FILE:

TITLE		MOUNTING HOLES PATTERN	
SIZE	SCALE		
B	2=1		

**Common Mode Chokes**  
**Horizontal Mount**  
HL-H-152U-5A

**CWS Coil Winding Specialist.**  
353 W. GROVE AVENUE  
ORANGE, CA 92665

REV	DATE
C	