

The information contained in this drawing is the sole property of CW's Coil Winding Specialist. Any reproduction in part or whole without written permission of CW's Coil Winding Specialist is prohibited.

REVISION HISTORY			
REV	ECN	DESCRIPTION	DATE
C		PRODUCTION RELEASE	9/08/04

6 WHERE SHOWN, USING A PERMANENT MARKING METHOD IF APPLICABLE, MARK PART NUMBER AND REVISION

5 FLUSH WITH THE COIL EDGE, AS SHOWN REMOVE INSULATION AND TIN LEADS

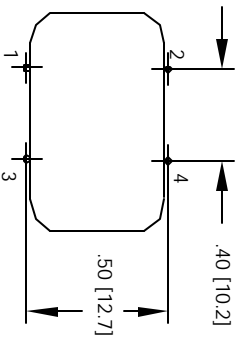
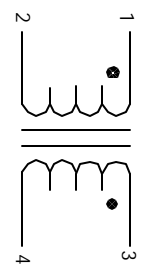
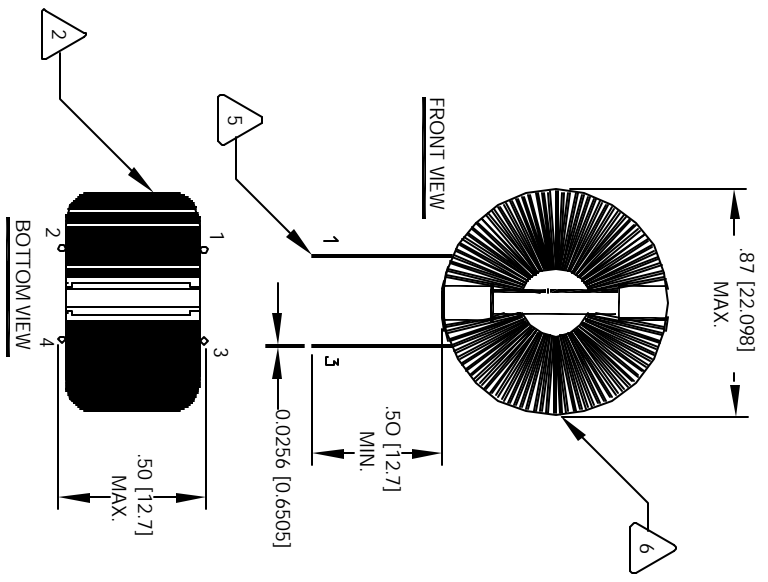
4 WIND ON EACH SIDE OF CORE AND EVENLY SPACED CONSTRUCTION:

- TEMP RANGE = -25 °C TO 120 °C
- MAX TEMP RISE = 25.8 °C
- TEST VOLTAGE = 2000 VAC, 1 MIN
- RATED VOLTAGE = 250 VAC OR VDC
- RATED CURRENT = 2 AMPS
- DCR = 0.1081 OHMS MAX
- L = 2.0 mH MIN., 50 Hz - 400 KHz, 0.250 Vrms, 0 ADC
- INSULATION RESISTANCE = 100 MEGA-OHMS MIN. @ 500 VDC
- SPECIFICATIONS AT 25 °C

2 WIRE: UL RECOGNIZED 130°C RATED MAGNET WIRE
CWS BYTE-MARK OR OTHER APPROVED PART
CORE: FERRITE TOROID.

1 BOBBIN RATING CLASS B (130°C) REQUIRED
MATERIAL: UL RECOGNIZED 94V-0 FOR FLAMMABILITY

NOTES: UNLESS OTHERWISE SPECIFIED, COMMON MODE CHOKE



QTY	CODE IDENT	MFG. P/N	DESCRIPTION	ITEM NO.
			PARTS LIST	
			COILS COM, INC	
			CWS Coil Winding Specialist	
			1510 E. Edinger Ave	
			Unit B, Santa Ana, CA, 92705	
			Common Mode Chokes	
			SIZE: B	REV: C
			SCALE: 2=1	
				SHEET 1 OF 1